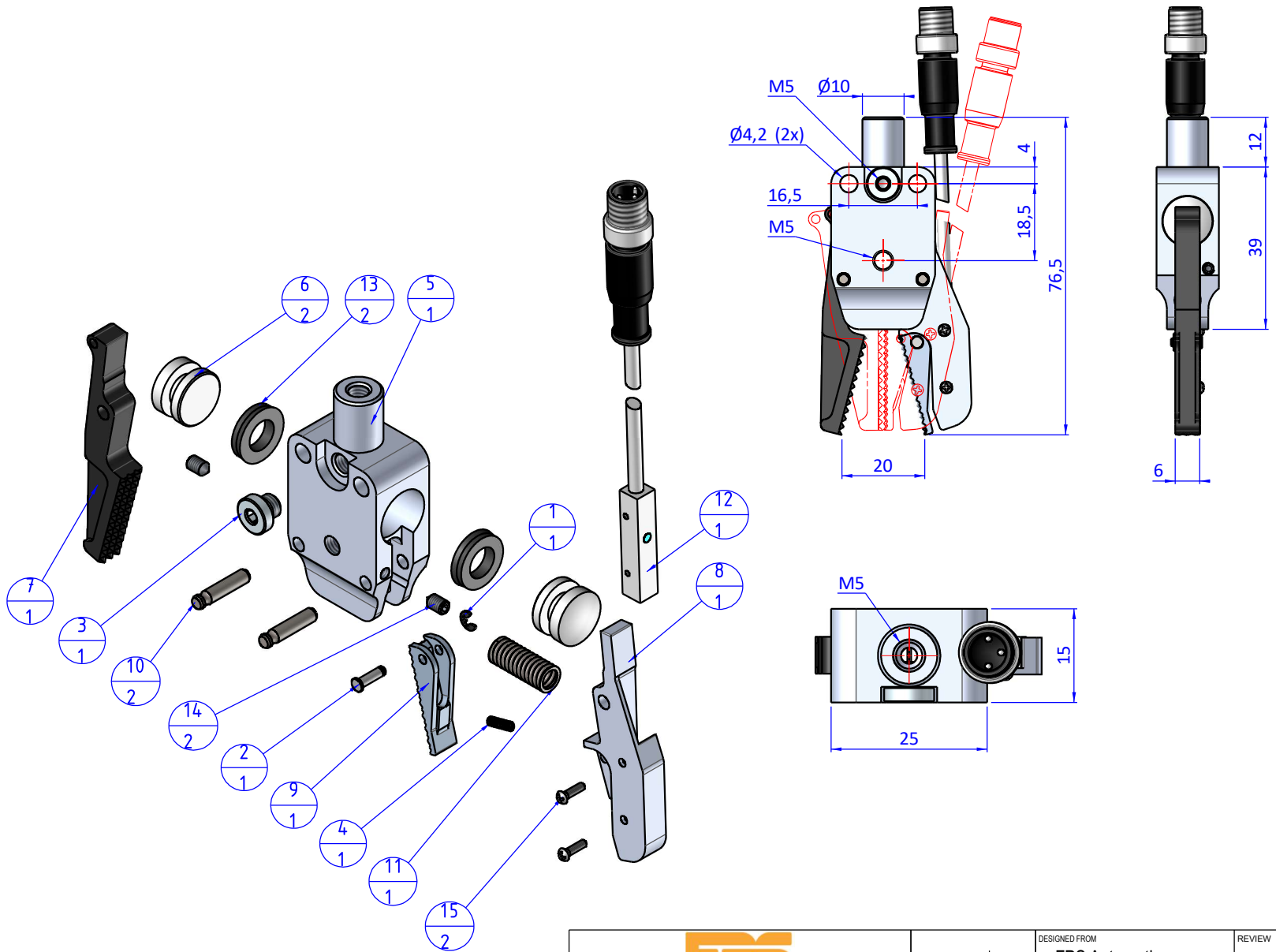



THE PROPERTY OF THE DRAWING IS ESTABLISHED BY LAW. IT IS FORBIDDEN TO PRODUCE OR SHOW IT TO THIRD PART WITHOUT A WRITTEN AGREEMENT.

Item	Name	Qty.
1	A.ELA.RA1.5	1
2	SP.2x7.5SS	1
3	CA.08.14.013	1
4	DIM.D10620	1
5	GZA.10.12.1.L	1
6	GZA.10.12.2	2
7	GZA.10.12.3.D	1
8	GZA.10.12.3.MS	1
9	GZA.10.12.3.MS1	1
10	GZA.10.12.5	2
11	M.6x25.SH	1
12	MMD.IL5AN3AVF80	1
13	PSP.1269255	2
14	V.STM3X5	2
15	V.TBCE1,6X6	2



Format A3
UNI 936-76

 FPS FPSERVICES AUTOMATION		DESIGNED FROM		REVIEW
		FPS Automation		A
GENERAL TOLERANCE		DATE	WEIGHT	
UNI - ISO 2768		24/02/2020	0,060kg	
CLASSE f		DESCRIPTION	CODE	
		CA.GZA.10.12.MSN	CA.GZA.10.12.MSN	